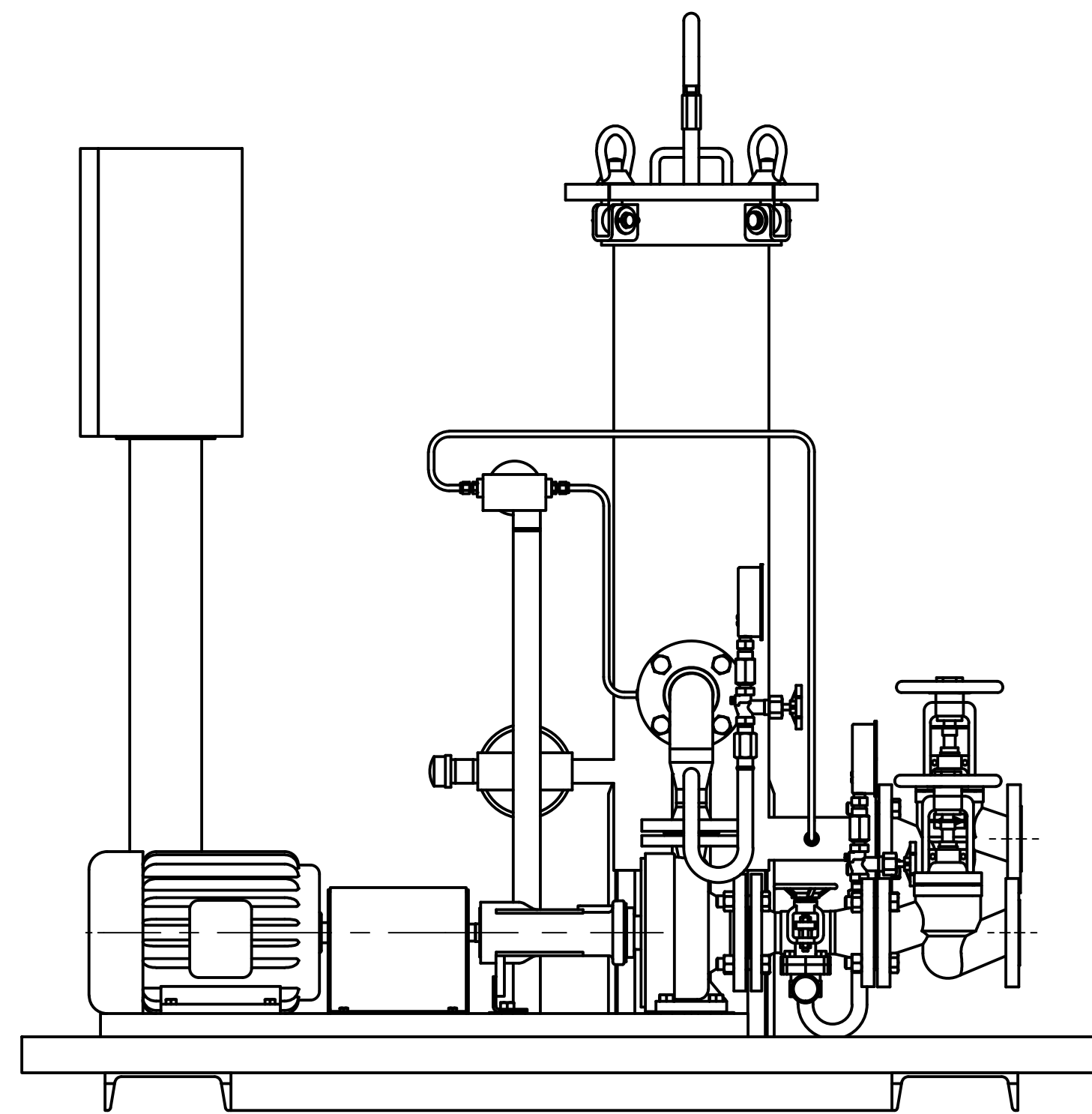
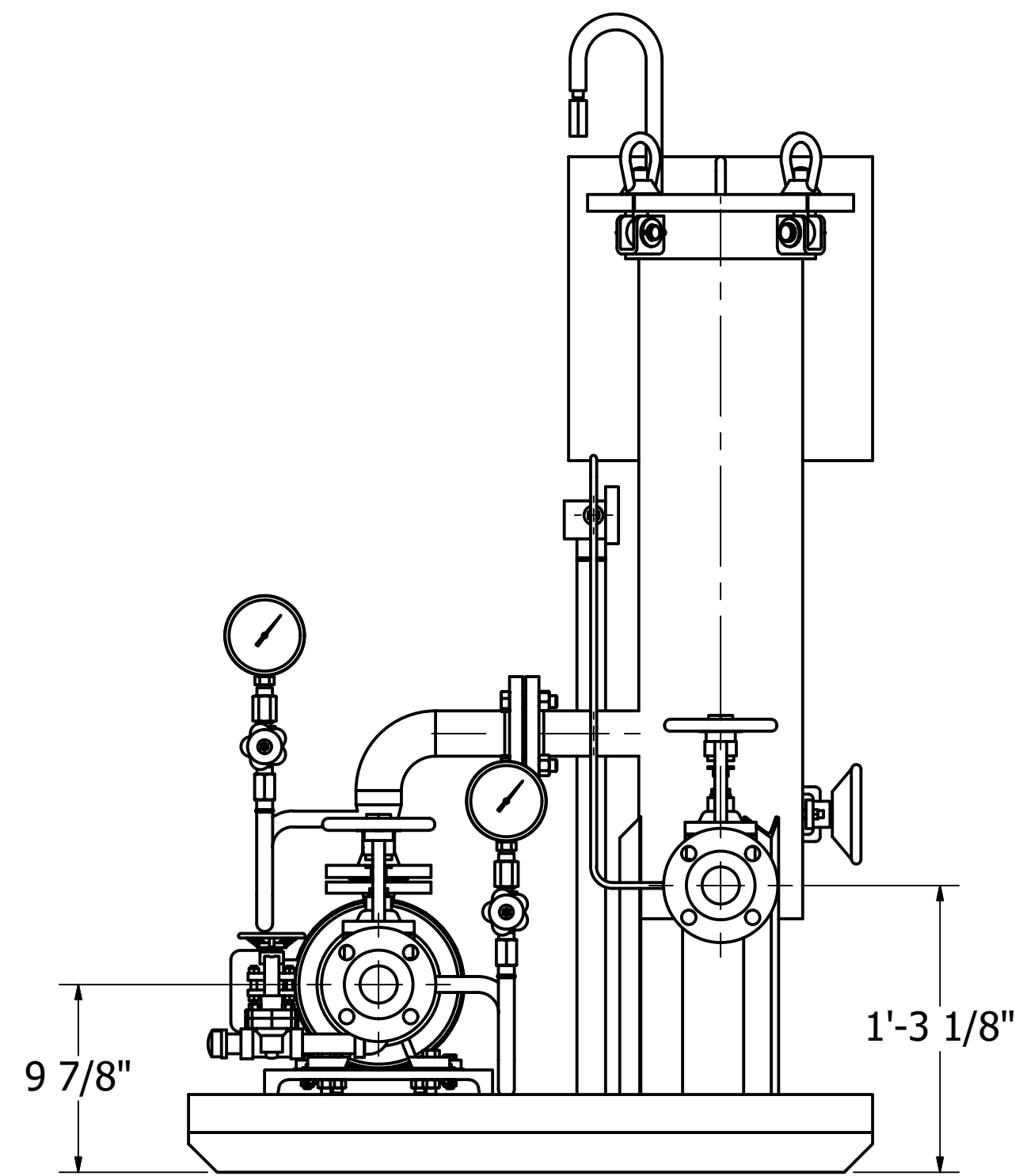


NOZZLE DESIGNATIONS		
ITEM	DESCRIPTION	SIZE
A	INLET	2" - 150# RF
B	OUTLET	2" - 150# RF
C	DRAIN	1" - NPT

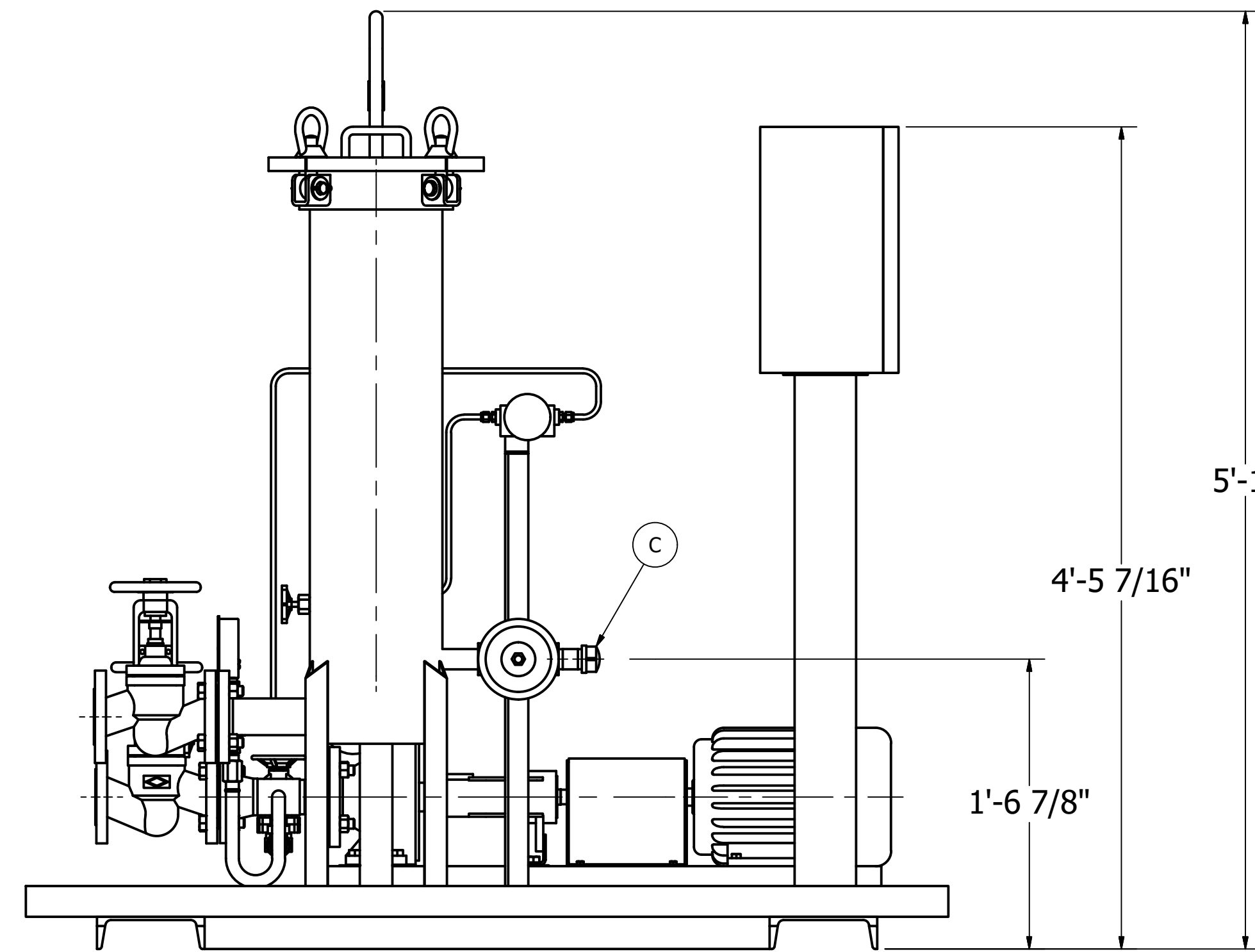
TOTAL ESTIMATED SKID WEIGHT = 650 POUNDS



RIGHT SIDE VIEW
SCALE 1 1/2"=1'-0"



ELEVATION
SCALE 1 1/2"=1'-0"



LEFT SIDE VIEW
SCALE 1 1/2"=1'-0"

TFS THERMAL FLUID SYSTEMS, INC.

TFS STD FILTER/PUMP SKID
90° IN/OUT FILTER/PUMP LAYOUT

REV	DESCRIPTION	DATE	SCALE	NOTED	PROJ. NO.	STD	DWG NO.	STD-6.0-90-L1	REV
0	ISSUED FOR REVIEW	6/20/19	NOTED			STD			0

DWG BY: RRS FILE NAME: C:\GIS\Design\STANDARD PARTS\30 PARTS (INVENTOR)\VESSELS\FILTERS\DWG6.0-90-L1.dwg
DATE: 6/6/2019 CUST. NO.: STD
SCALE: NOTED PROJ. NO.: STD