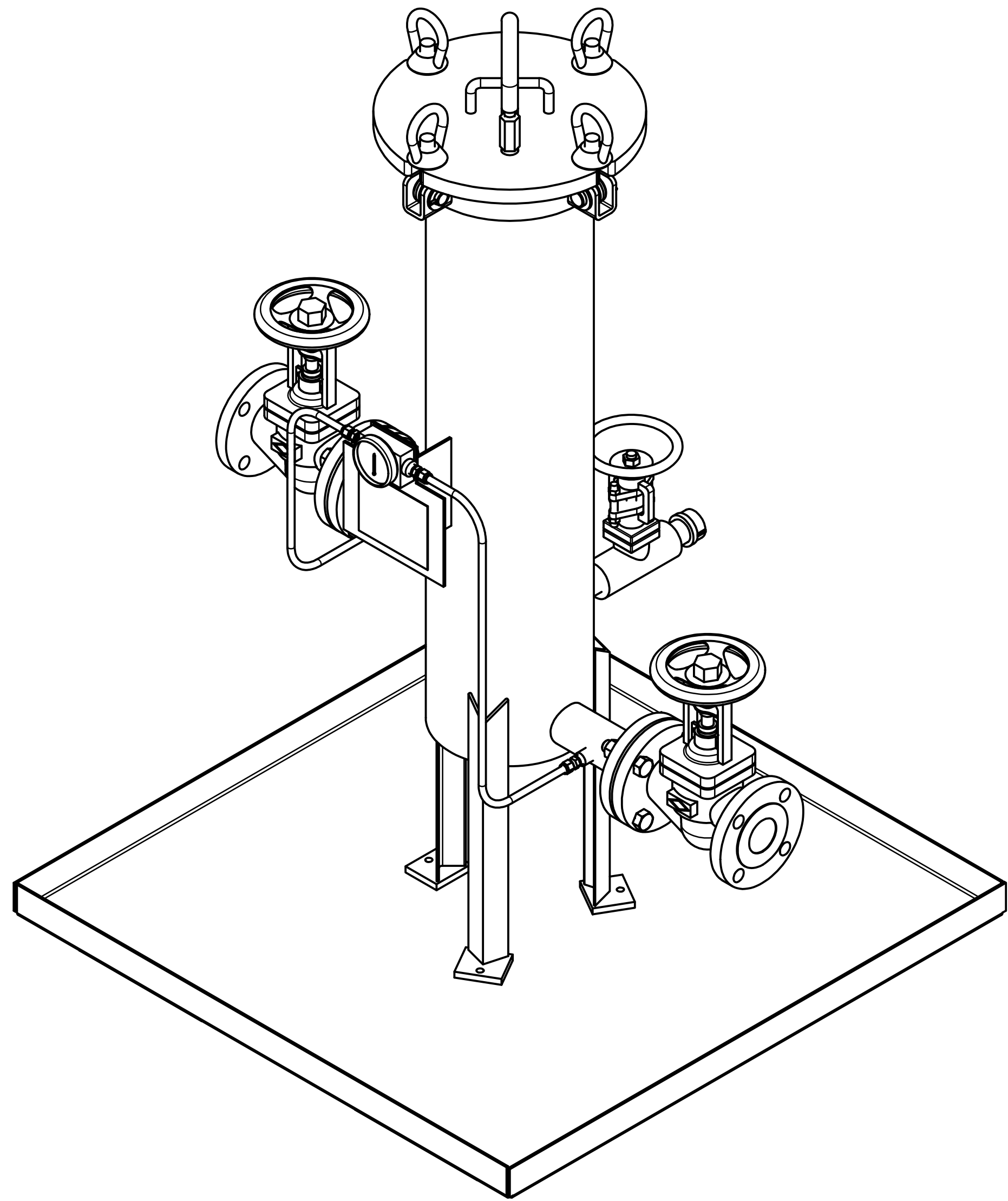


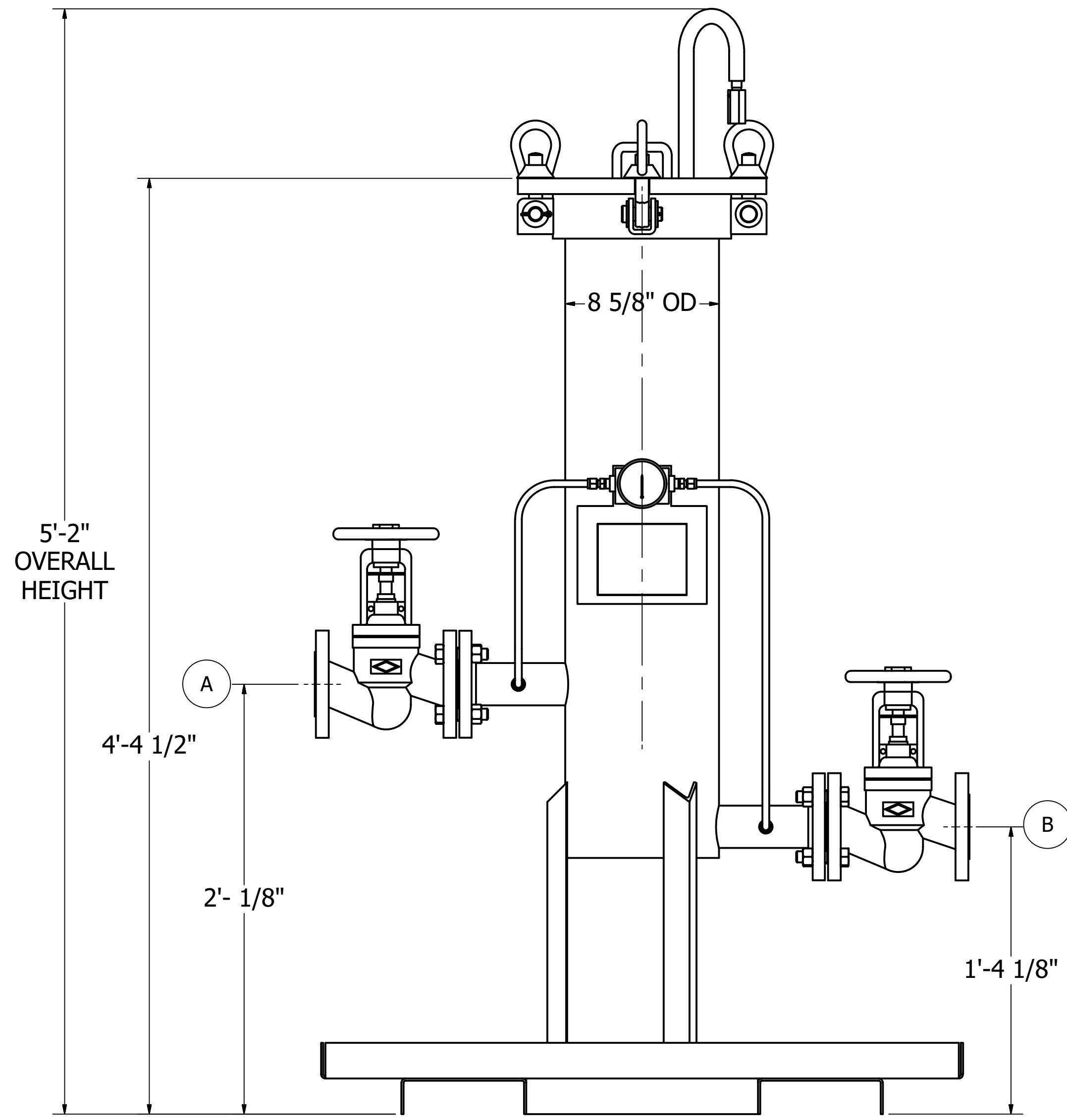
PLAN VIEW
SCALE NTS

NOZZLE DESIGNATIONS		
ITEM	DESCRIPTION	SIZE
A	INLET	2" - 150# RF
B	OUTLET	2" - 150# RF
C	DRAIN	1" - NPT

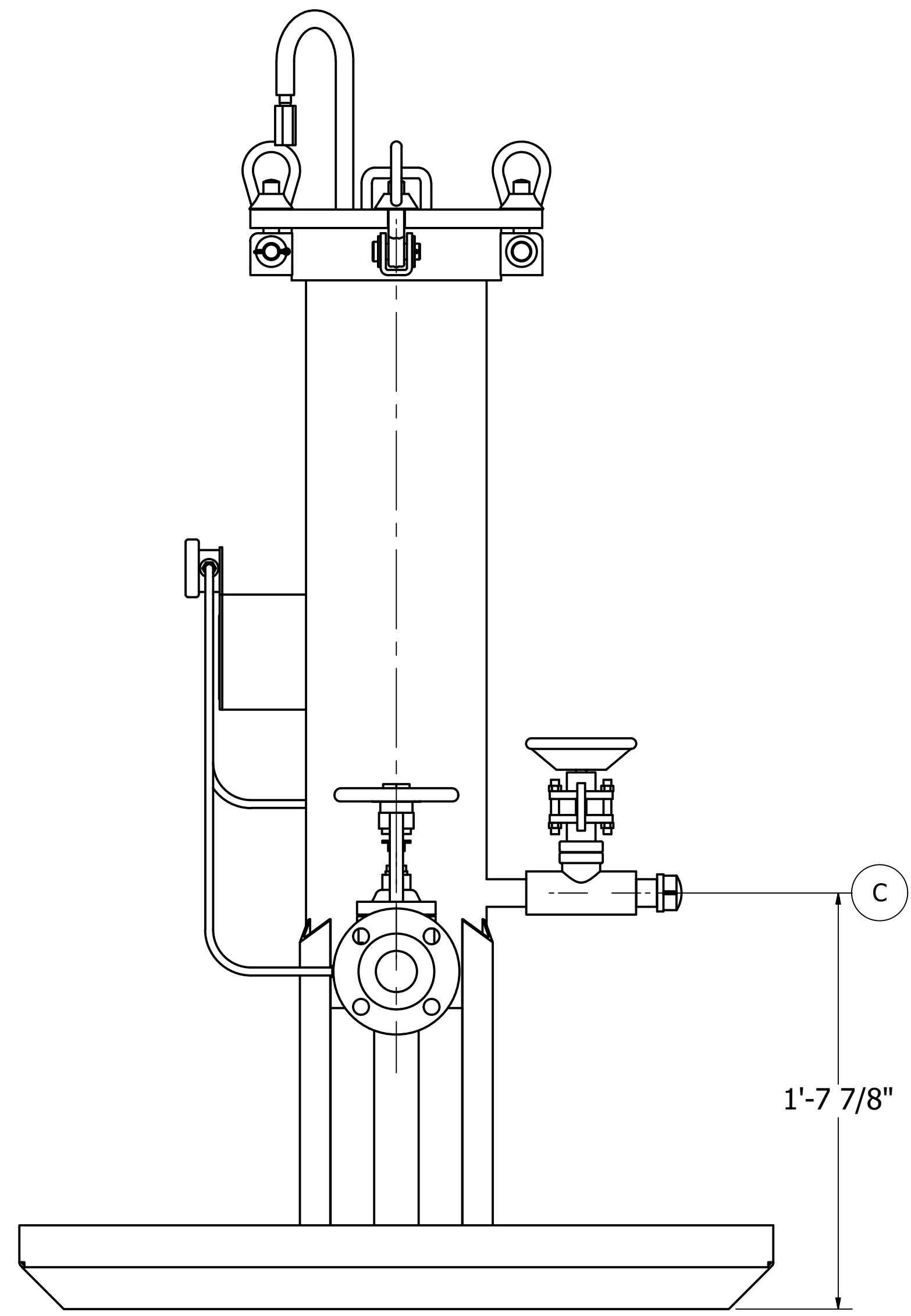
TOTAL WEIGHT: 437 LBS.



ISOMETRIC VIEW
SCALE NTS



ELEVATION VIEW - FRONT
SCALE NTS



ELEVATION VIEW - SIDE
SCALE NTS

TFS THERMAL FLUID SYSTEMS, INC.

TFS
SIX FILTER LAYOUT W PAN & VALVES

REV	DESCRIPTION	DATE	SCALE	PROJ. NO.	DWG. NO.
1	FLANGED CONNECTIONS WERE 300#	11/13/19	NOTED	STD	STD-6.0-L2

DWG. BY: IPG	FILE NAME: C:\GIS\Design\STANDARD PARTS\3D PARTS (INVENTOR)\VESSELS\FILTERS\DWGSTD-6.0-L2.dwg
DATE: 2/2/2018	CUST. NO.: STD
SCALE: NOTED	PROJ. NO.: STD